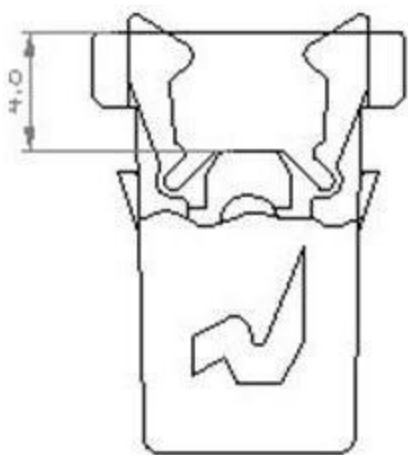
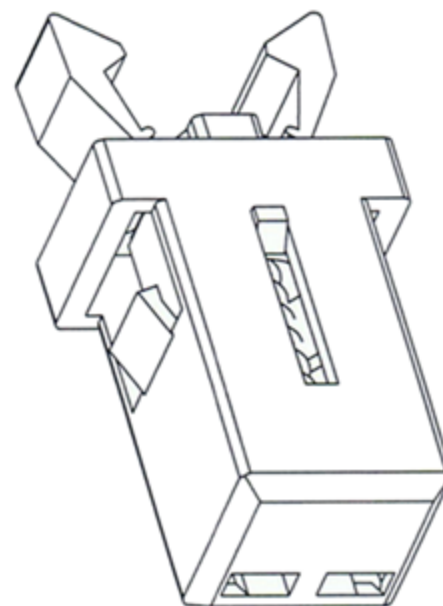
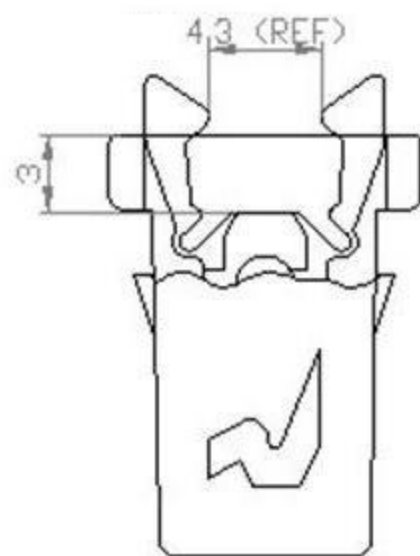


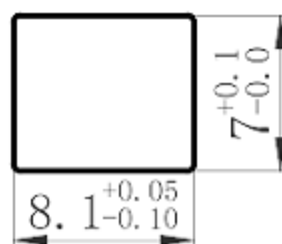
开启状态



下压最大位置

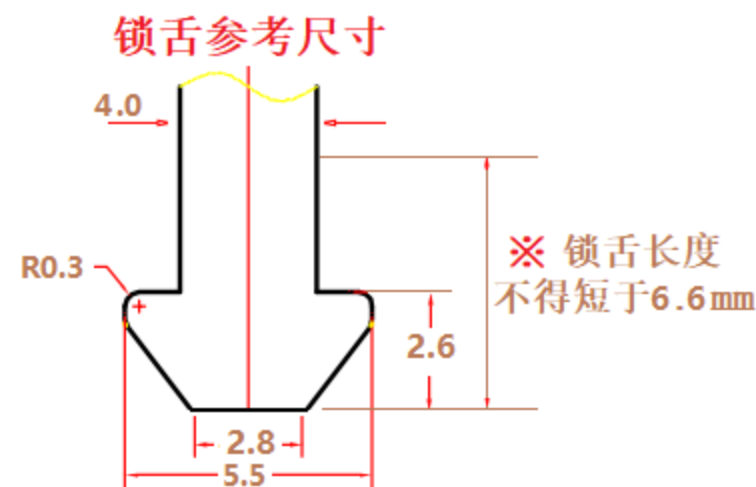


锁住状态



安装孔尺寸

材料清单: 抗拉力:15N以下
 外壳: PC 寿命: 8000次以上
 爪子: PA 操作力:5N±2N
 钩子: POM
 弹簧: 碳钢镀镍



※ 注: 锁舌厚度或者直径不能大于4.8mm

| | | | | | | | | | | |
|------------|-------------------|----------|--|--------------------------------------|------|-----|---------------------------------------|----------|----------------|--|
| TITLE | DOOR LATCH SWITCH | DRAWN | | TOLERANCE OTHERWISE UNLESS SPECIFIED | 8 | | | | | |
| PART NO. | Lock switch | CHECKED | | UP TO 5 | ±0.2 | 6 | | | | |
| DRAW NO. | GD-PR-1X | APPROVED | | ABOVE 5 ~ 30 | ±0.3 | 5 | | | | |
| SCALE: 2:1 | UNIT: mm | DATE: | | ABOVE 30 ~ 50 | ±0.4 | 4 | | | | |
| | | | | ABOVE 50 | ±0.5 | 3 | SPRING | SUS | 1 Ni PLATED | |
| | | | | ANGLE | ±3° | 2 | HOUSING | POM | 1 BLACK | |
| | | | | | | 1 | SLIDER | PA12 | 1 BLACK | |
| | | | | | | NO. | PARTS | MATERIAL | QTY. FINISHING | |
| | | | | | | | DONG GUAN GAODI ELECTRONICS CO., LTD. | | | |

东莞市高迪电子有限公司